



4207 / 4304 / 4305

# RIDE ALONG SCOOTER™

The Step2 Company, LLC.

10010 Aurora-Hudson Rd.  
Streetsboro, OH 44241 USA  
1-800-347-8372 USA & Canada Only  
(330)656-0440  
www.step2.com



@THESTEP2COMPANY | #STEP2KIDS

## ENGLISH

USE FOR CHILDREN FROM AGES 1½ - 4.

OBSERVE ALL STATEMENTS AND WARNINGS TO REDUCE THE LIKELIHOOD OF SERIOUS OR FATAL INJURY. SAVE THIS SHEET FOR FUTURE REFERENCE.

### ⚠️ WARNING:

#### CHOKING HAZARD

Small parts. Sharp points. Adult assembly required.

### ⚠️ WARNING:

#### BURN HAZARD

- Always check the temperature of the product before letting your children play on it.
- Remember that the product may cause burns.
- Always be aware of the sun and weather conditions, and do not assume that the equipment is safe because the air temperature is not very high.

### ⚠️ WARNING:

#### TO AVOID SERIOUS INJURY:

- Provide adult supervision at all time.
- Do not use in areas unsafe for pedestrians.
- Do not use on steps or steep inclines where product could roll away.
- Keep away from pools or other bodies of water.
- Shoes must be worn during use.
- Allow a maximum of one riders.
- Periodically check the handle and hardware for wear and proper assembly.

#### HELPFUL HINT:

Dip handle grips into a soapy water solution for easier assembly.

#### CLEANING INSTRUCTIONS:

Use a 50/50 mixture of vinegar and water.

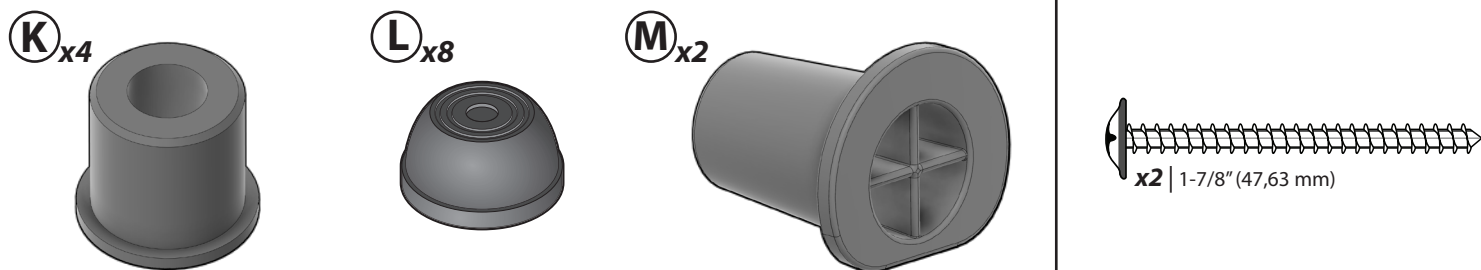
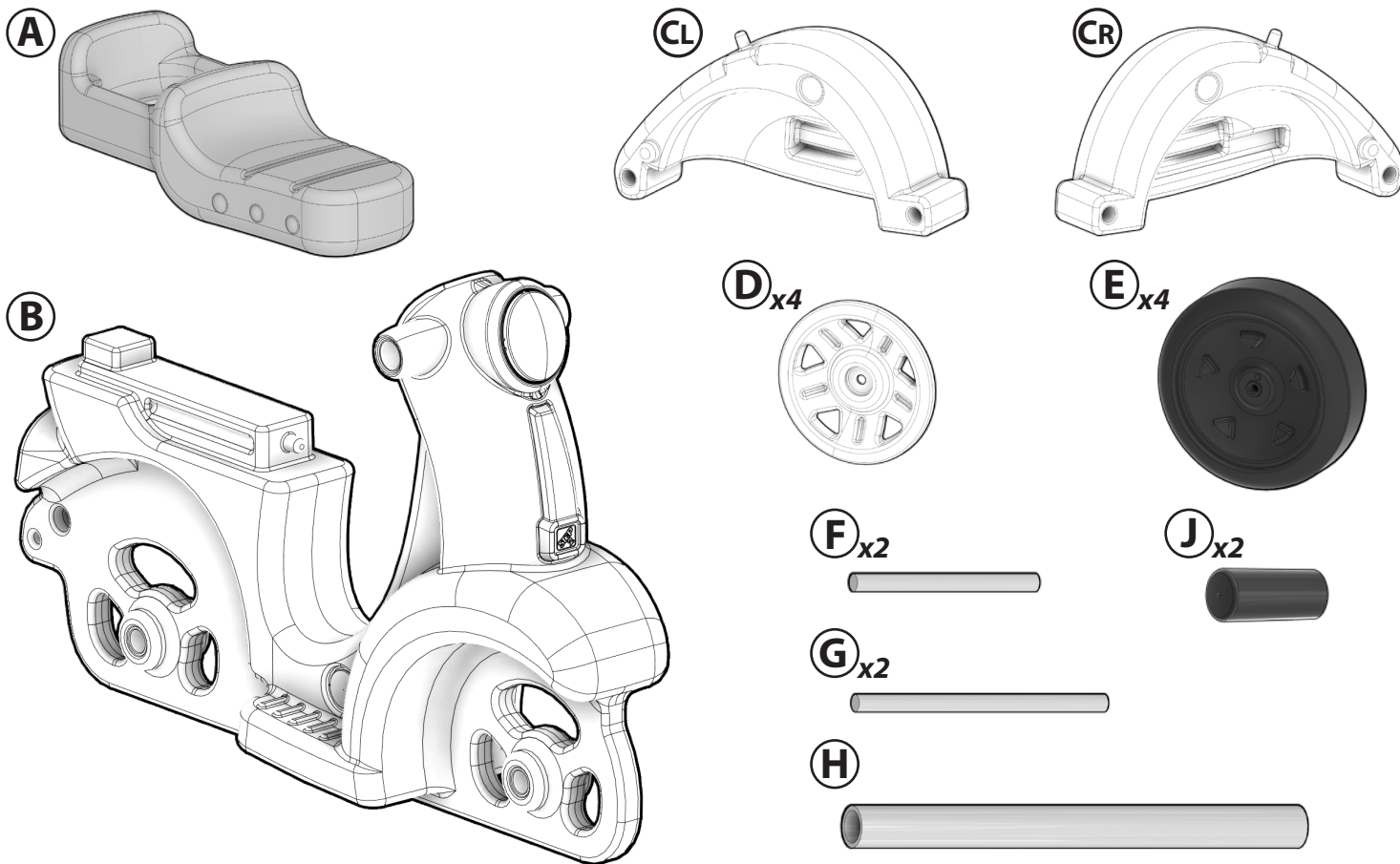
#### DISPOSAL INSTRUCTIONS:

Please recycle when possible. Disposal must be in compliance with all government regulations.

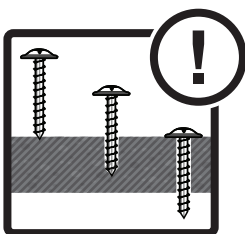
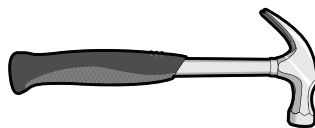
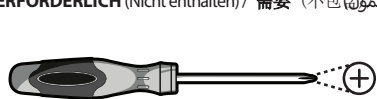
#### SAFETY INFORMATION

- Limit: 1 child. Maximum child weight: 40 lbs. (18.14kg.)
- Instruct children:
  - not to use product until properly assembled.
  - to keep hands, feet, loose clothing and long hair away from the wheels during use.
- **DO NOT** remove any screws once installed. For disassembly, only remove parts not secured by screws.
- **DO NOT** over-tighten screws or they will not hold parts together appropriately.
- Take notice that screws are designed to pierce the plastic and form their own threads.

**INSPECT THIS PRODUCT BEFORE EACH USE. TIGHTLY SECURE CONNECTIONS AND REPLACE DAMAGED OR WORN COMPONENTS. CONTACT THE STEP2 COMPANY, LLC. FOR REPLACEMENT PARTS.**



**REQUIRED (Not Included) / REQUIS (Non inclus) / NECESARIO (No incluido) / OBLIGATOIRE (Non inclus) / VEREIST (Niet inbegrepen) / NECESSÁRIO (Não incluso) / WYMAGANE (Nie zawarty) / ERFORDERLICH (Nicht enthalten) / 需要 (不包括) / مطلوب (غير مشمول)**



**PLEASE NOTE:** Product has no holes. Screws form their own. Apply pressure. Scan QR code for screw installation tips.

**VEUILLEZ NOTER :** Le produit n'a pas de trou. Les vis formeront leur propre trou. Visser en appuyant. Scannez le code QR pour obtenir des conseils d'installation de vis.

**POR FAVOR, TENGA EN CUENTA QUE:** El producto no tiene orificios. Los tornillos forman sus propios orificios. Ejercer presión. Escanee el código QR para obtener consejos sobre la instalación de tornillos.

**NOTA:** sul prodotto non sono presenti fori. Le viti sono autofilettanti. Applicare pressione. Scansiona il codice QR per suggerimenti sull'installazione delle viti.

**ATTENTIE:** Dit product is niet voorzien van schroefgaten. De schroeven vormen hun eigen gaten. Druk uit oefenen. Scan de QR code voor tips voor het installeren van schroeven.

**TENHA EM ATENÇÃO:** O produto não tem furos. Os parafusos são autorroscentes. Aplicar pressão. Leia o código QR para dicas de instalação de parafusos.

**UWAGA:** Produkt nie zawiera otworów. Otwory tworzą śrubki. Należy je dociskać. Zeskanuj kod QR, aby uzyskać wskazówki dotyczące montażu śrub.

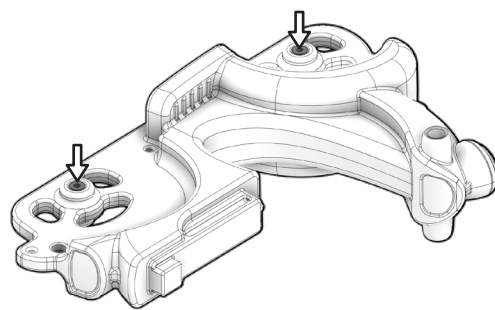
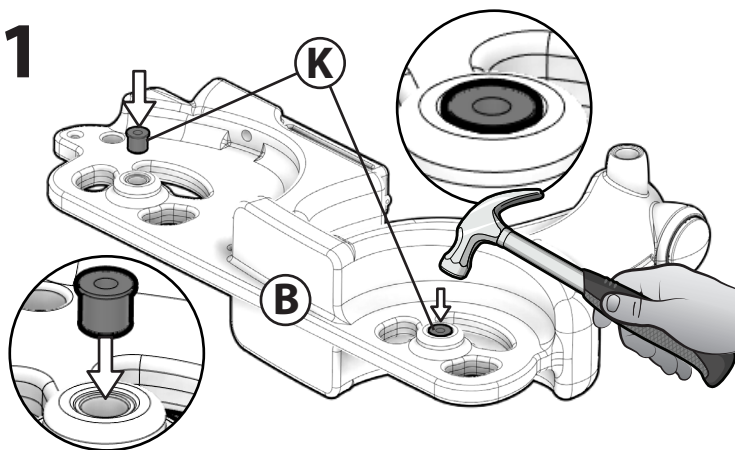
**BITTE BEACHTEN:** Das Produkt hat keine Bohrungen. Die Schrauben drehen sich ohne Bohrung ein. Druck anwenden. QR-Code scannen, um Tipps zur Schraubeninstallation zu erhalten.

**请注意:** 产品无孔。需要钻孔。施加压力。扫描二维码获取螺丝安装提示。

يرجى ملاحظة أنه: لا توجد ثقوب بالمنتج. تفتح المسامير الثقوب الخاصة بها. اضغط. امسح رمز الاستجابة السريعة للحصول على نصائح حول تثبيت المسامير.



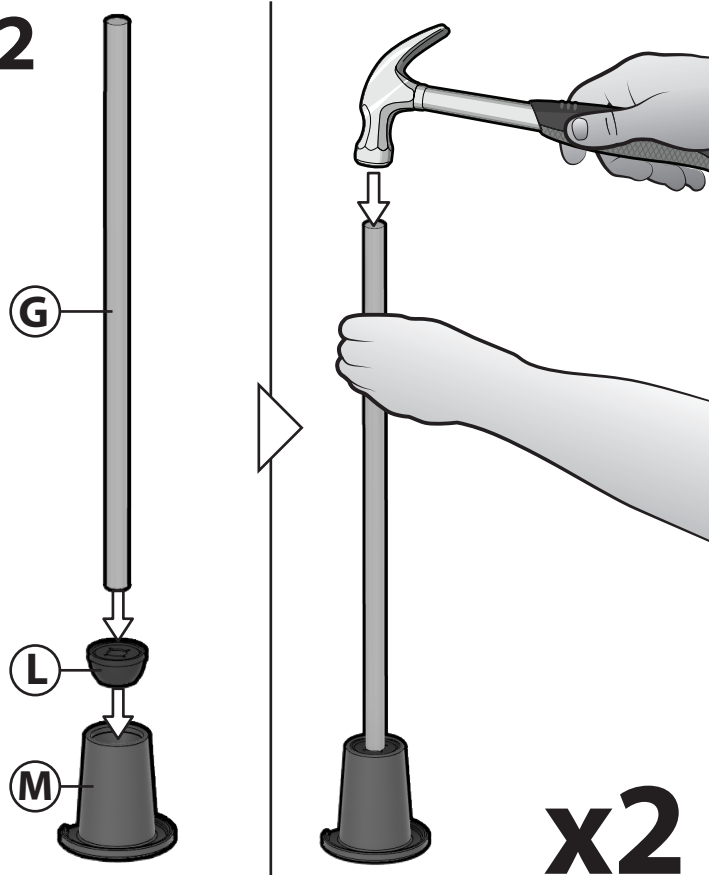
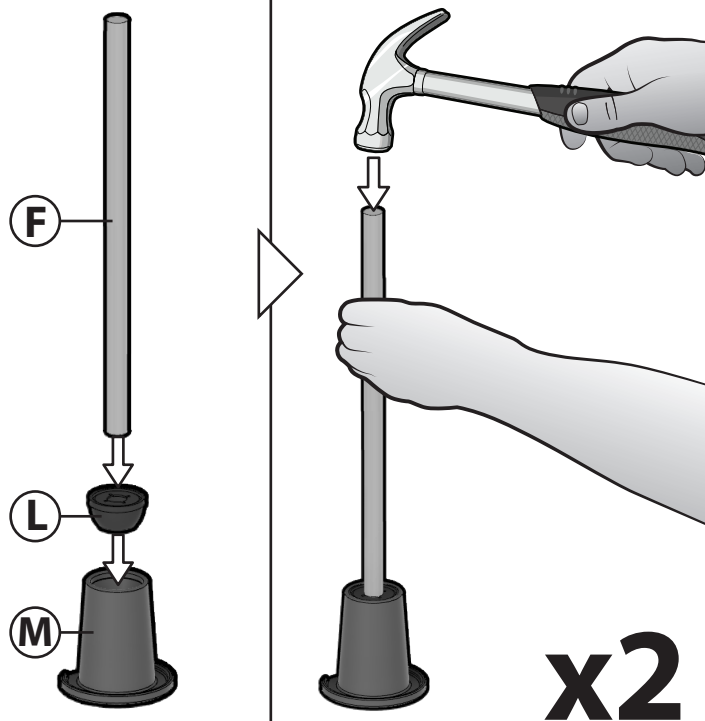
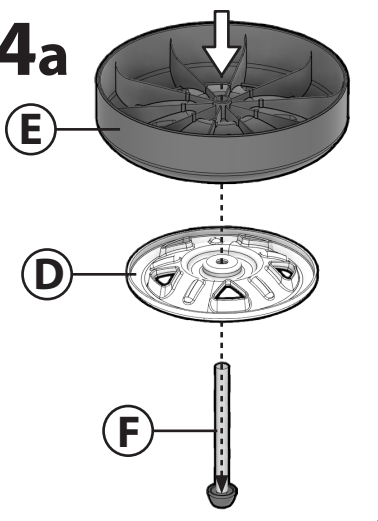
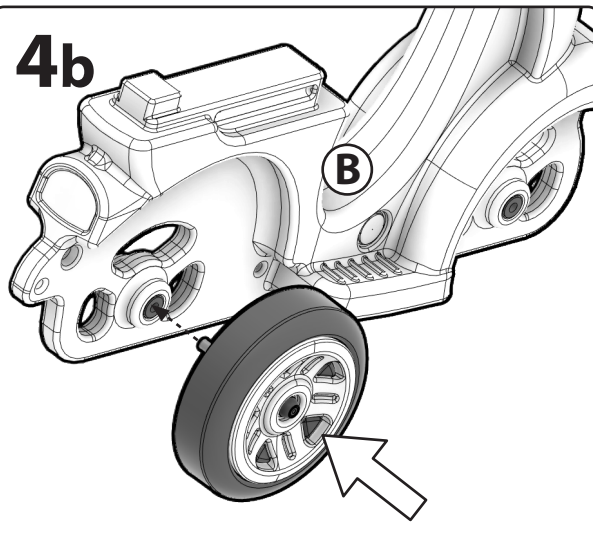
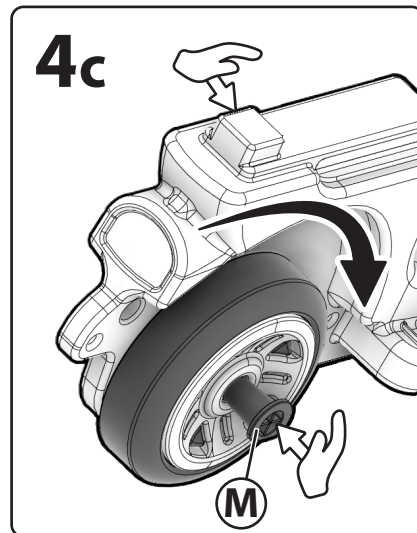
[www.step2.com/video-tips](http://www.step2.com/video-tips)

**1**

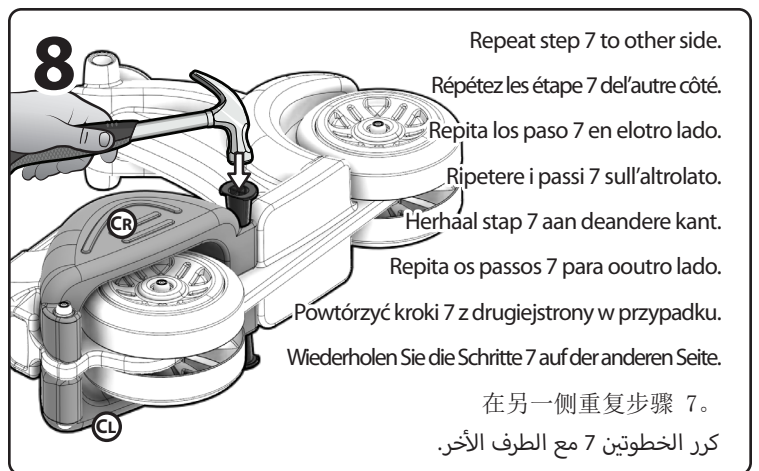
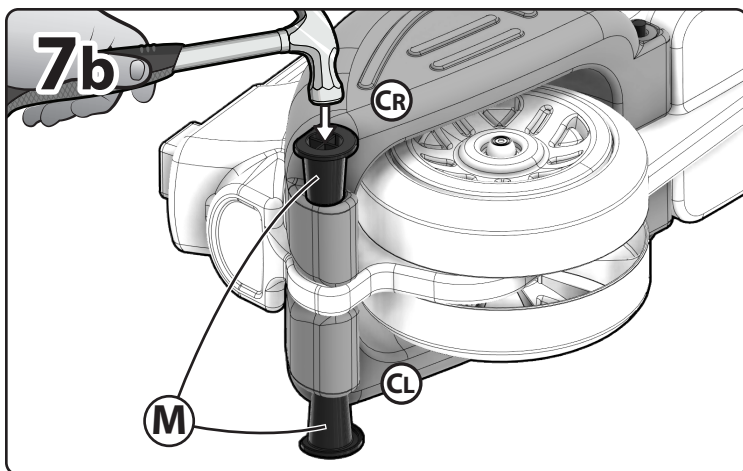
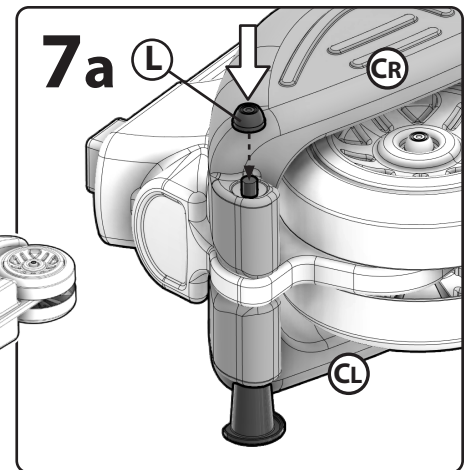
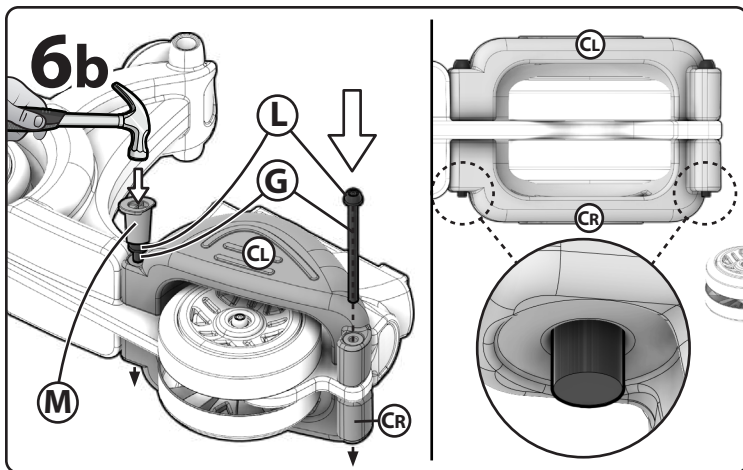
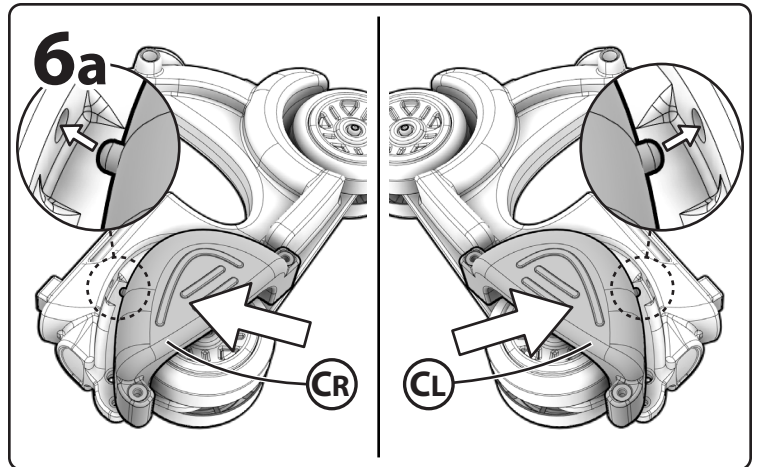
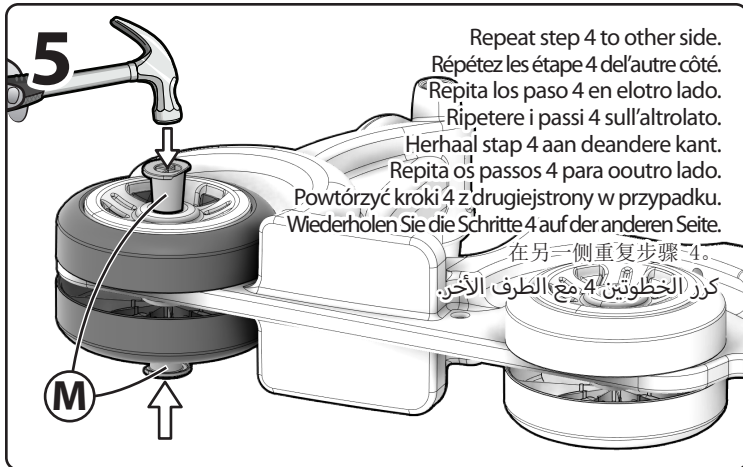
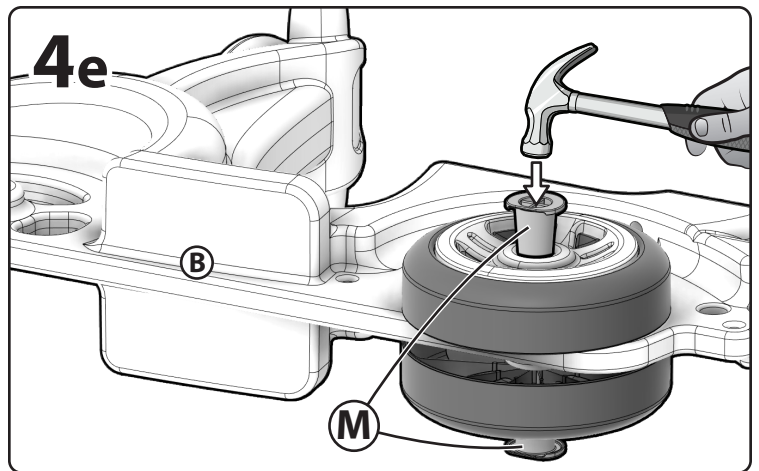
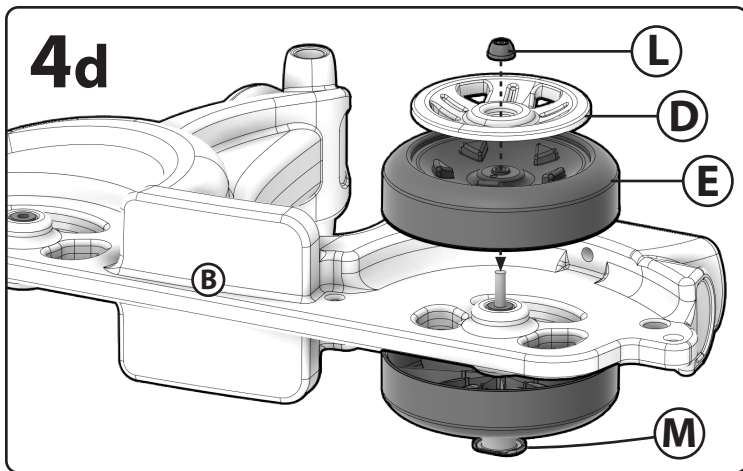
Repeat to the other side.  
 Procédez de même de l'autre côté.  
 Repita en el lateral opuesto.  
 Ripetere sull'altro lato.  
 Herhaal aan de andere kant.

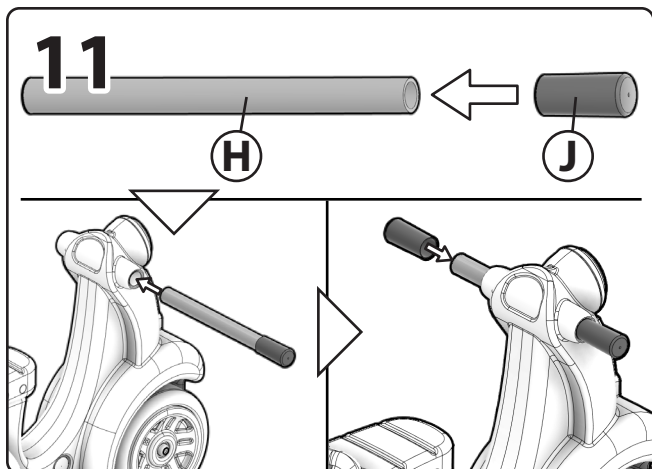
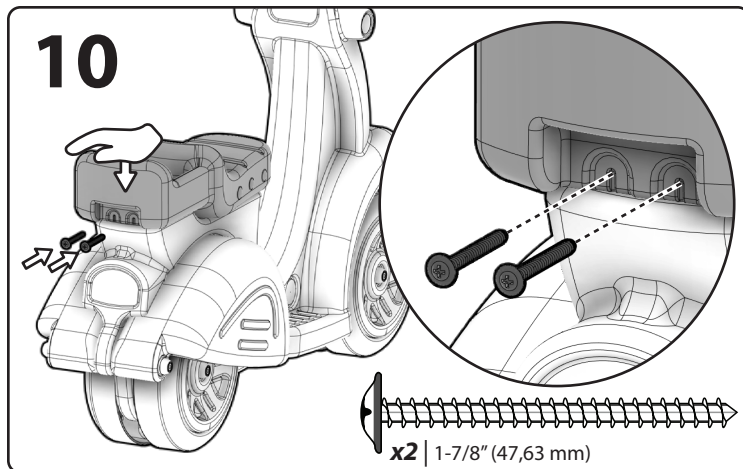
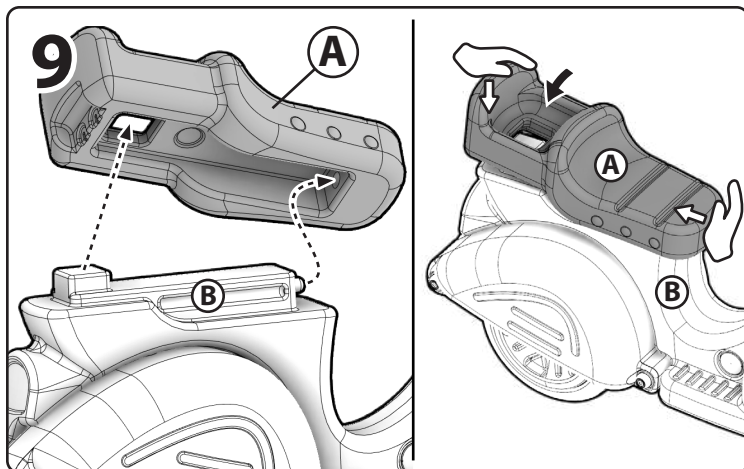
Repita para o outro lado.  
 Powtórzyć po drugiej stronie.  
 Auf der anderen Seite wiederholen.  
 在另一側重复。

كرر ذلك مع الجانب الآخر.

**2****3****4a****4b****4c**







**Helpful Hint:** Dip handle grips (J) into a soapy water solution for easier assembly.

**Conseil:** Tremper les poignées (J) dans une solution d'eau savonneuse pour faciliter l'assemblage.

**Consejo útil:** Sumerja las empuñaduras (J) en una solución de agua y jabón para facilitar el montaje.

**Consiglio utile:** immergere le manopole (J) in una soluzione con acqua e sapone per facilitarne il montaggio.

**Handige tip:** De handgrepen (J) zijn gemakkelijker te monteren als u ze even in een sojpe houdt.

**Dica prática:** Mergulhe as pegas (J) numa solução de água com sabão para uma montagem mais fácil.

**Pomocna odpowiedź:** Zanurz uchwyty (J) w wodzie z mydlinami, aby ułatwić montaż.

**Hilfreicher Hinweis:** Tauchen Sie (J) die Griffe zur leichteren Montage in eine Seifenlauge.

**帮助提示:** 将手柄把手浸入皂液, 使安装更加容易 (J)。

تلميح مفيد: اغمس المقابض في محلول من المياه والصابون لتسهيل عملية التجميع (J).

Decal Application: Application des décalcomanies: Colocación de los adhesivos: Applicazione delle decalcomanie:  
 Plakplaatje aanbrengen: Aplicação da decalcomania: Umieszczanie naklejek: Aufbringen der klebefolien: 贴纸置放: وضع الملصق:

